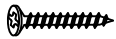


Ax23 


Bx23 

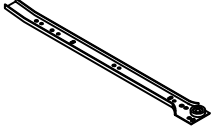
Cx9 

Dx16 

Ex8 

Fx16 

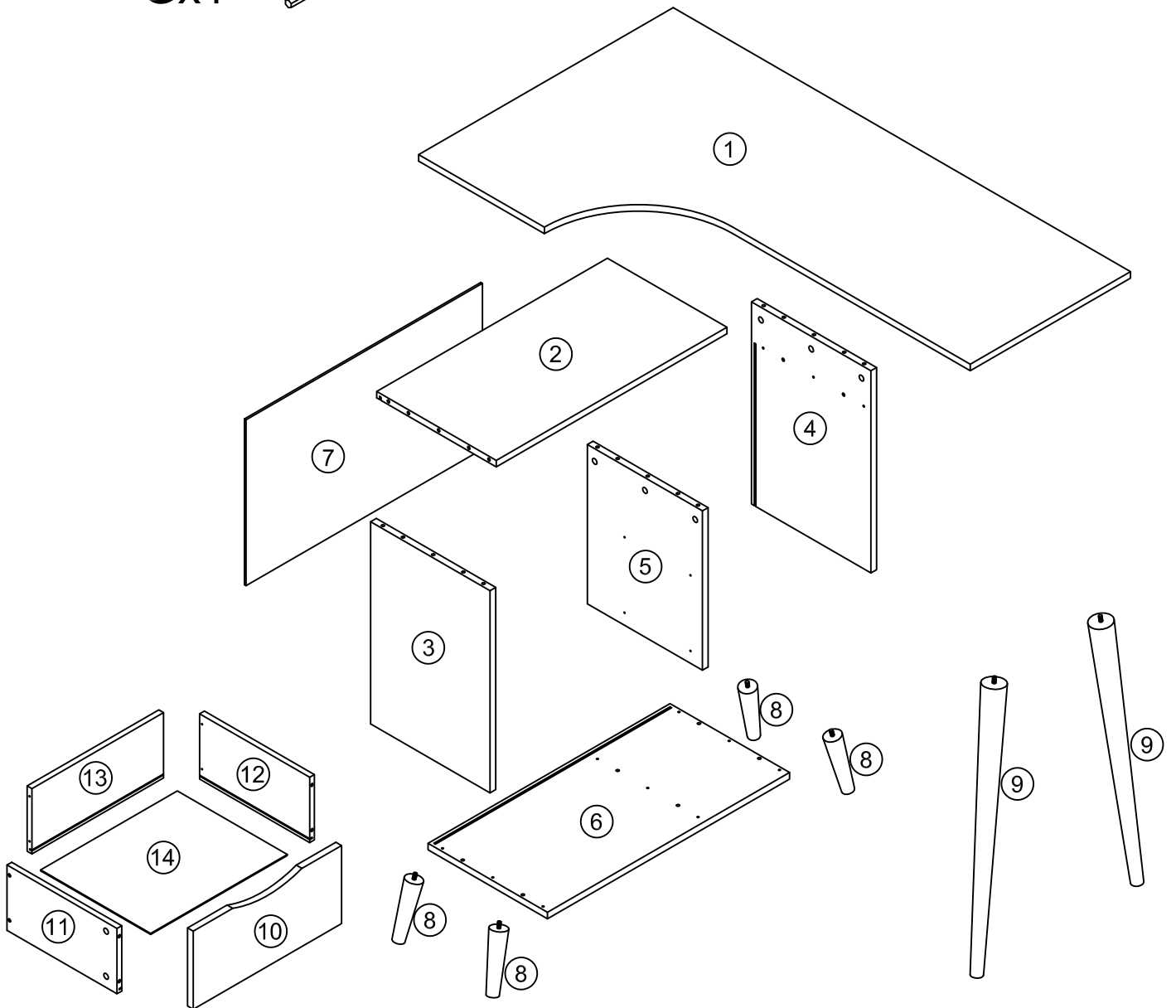
Gx1 

CLx2 

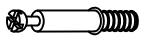
CRx2 

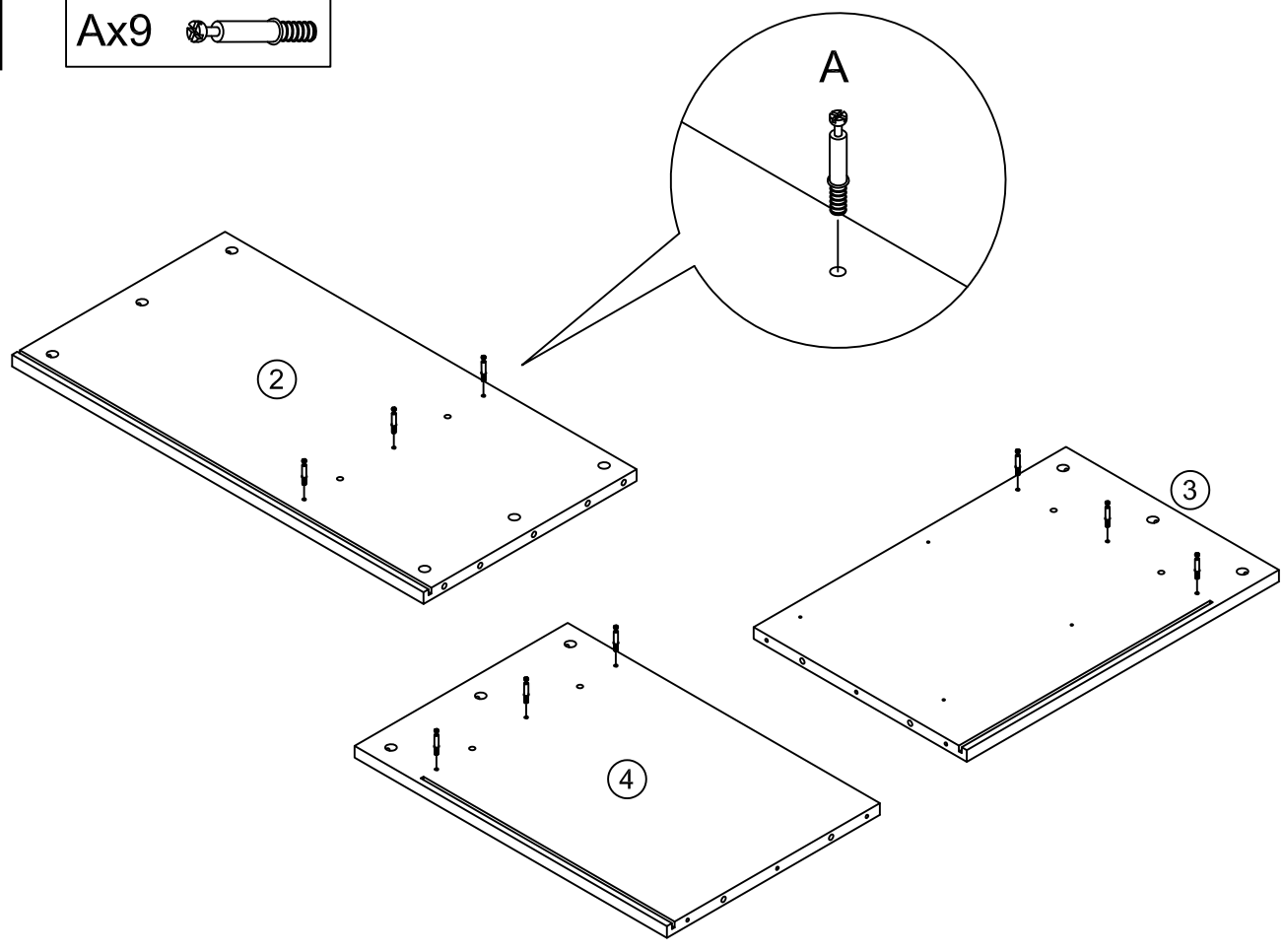
DLx2 

DRx2 






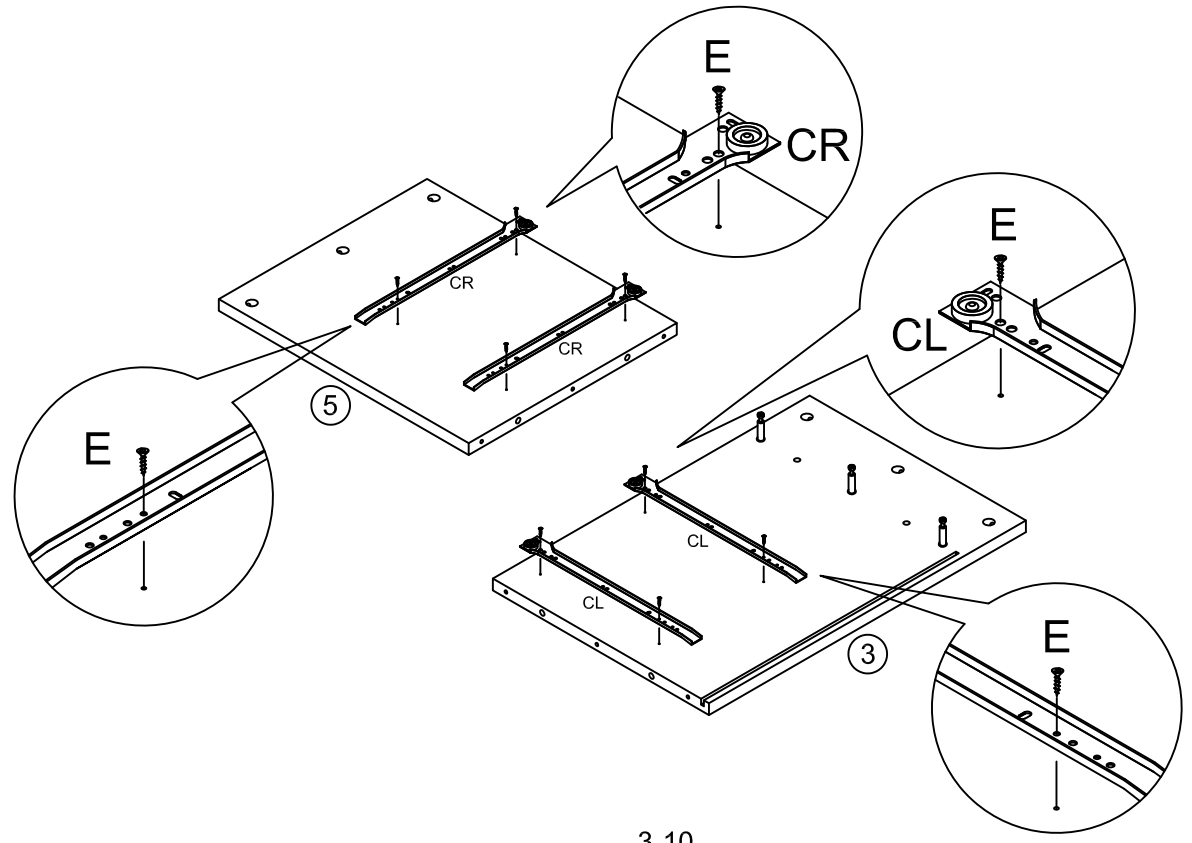
1

Ax9 



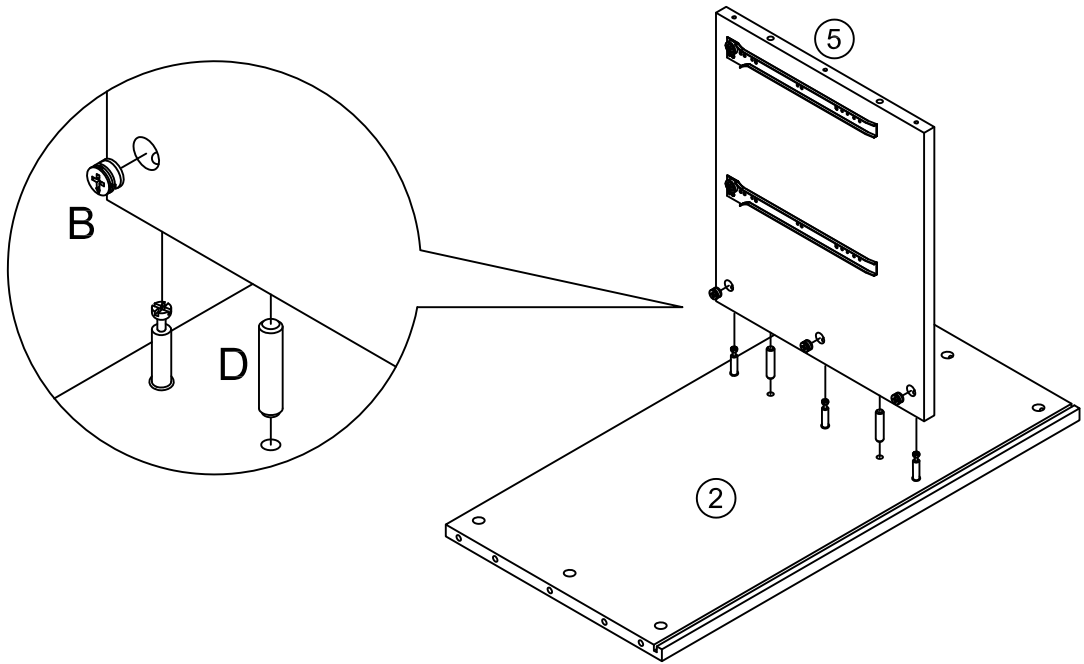
2

Fx8  CLx2  CRx2 



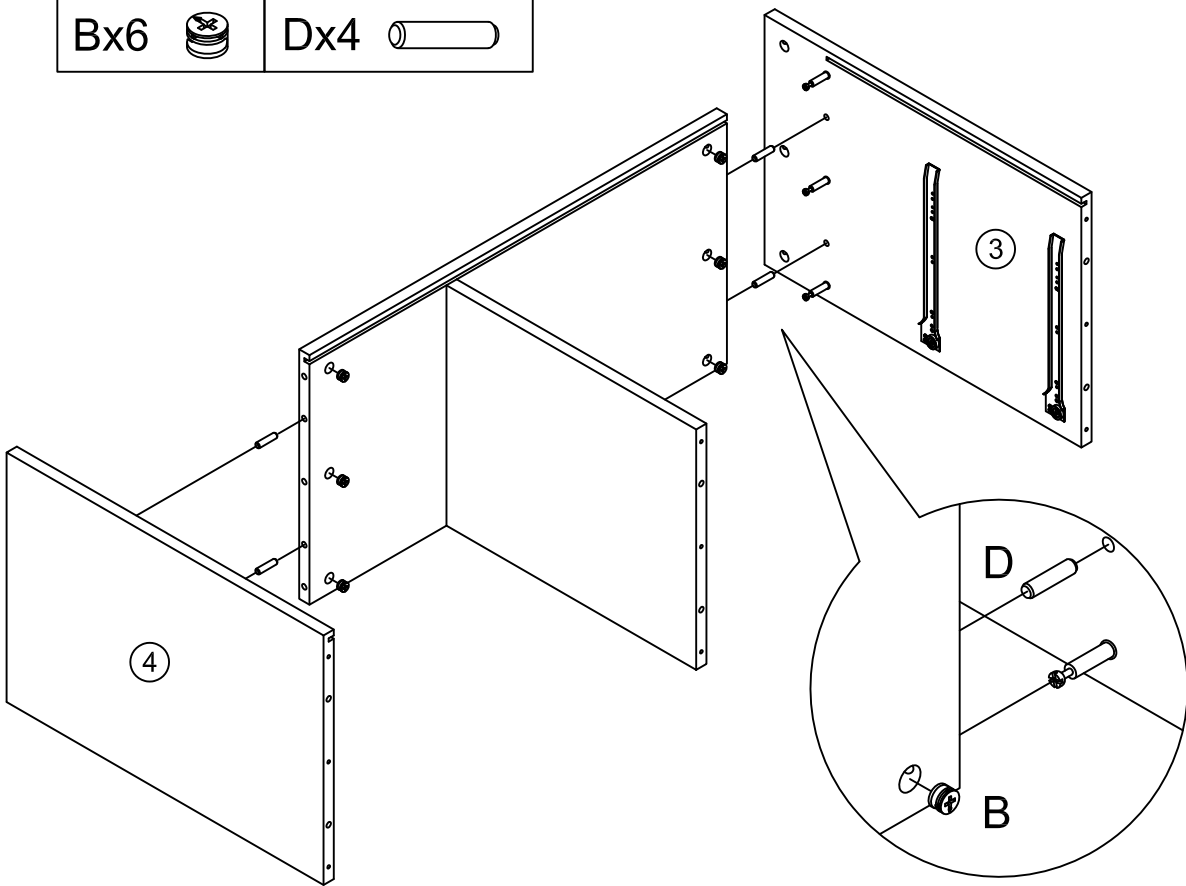
3

Bx3  Dx2 

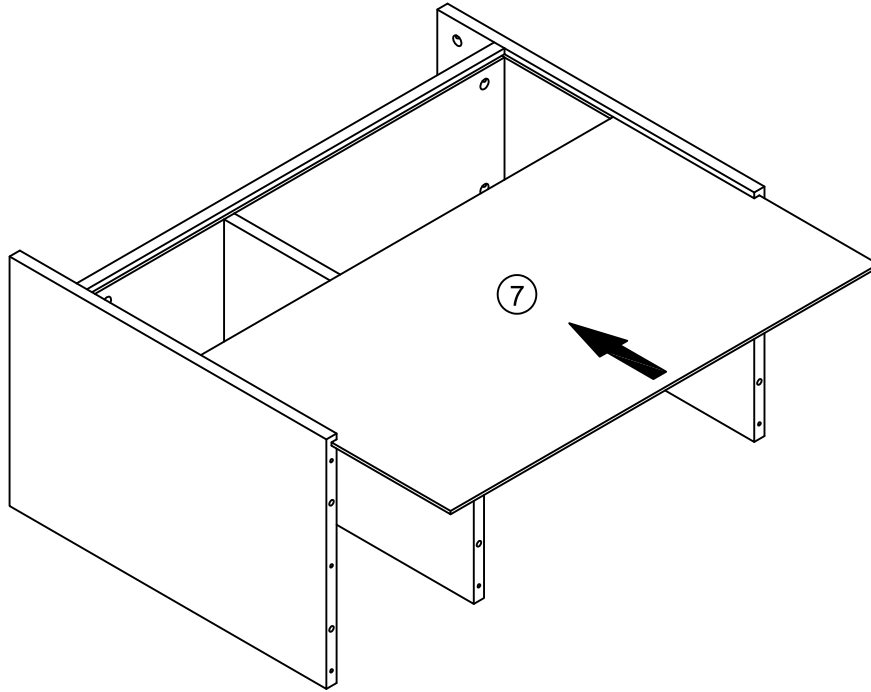


4

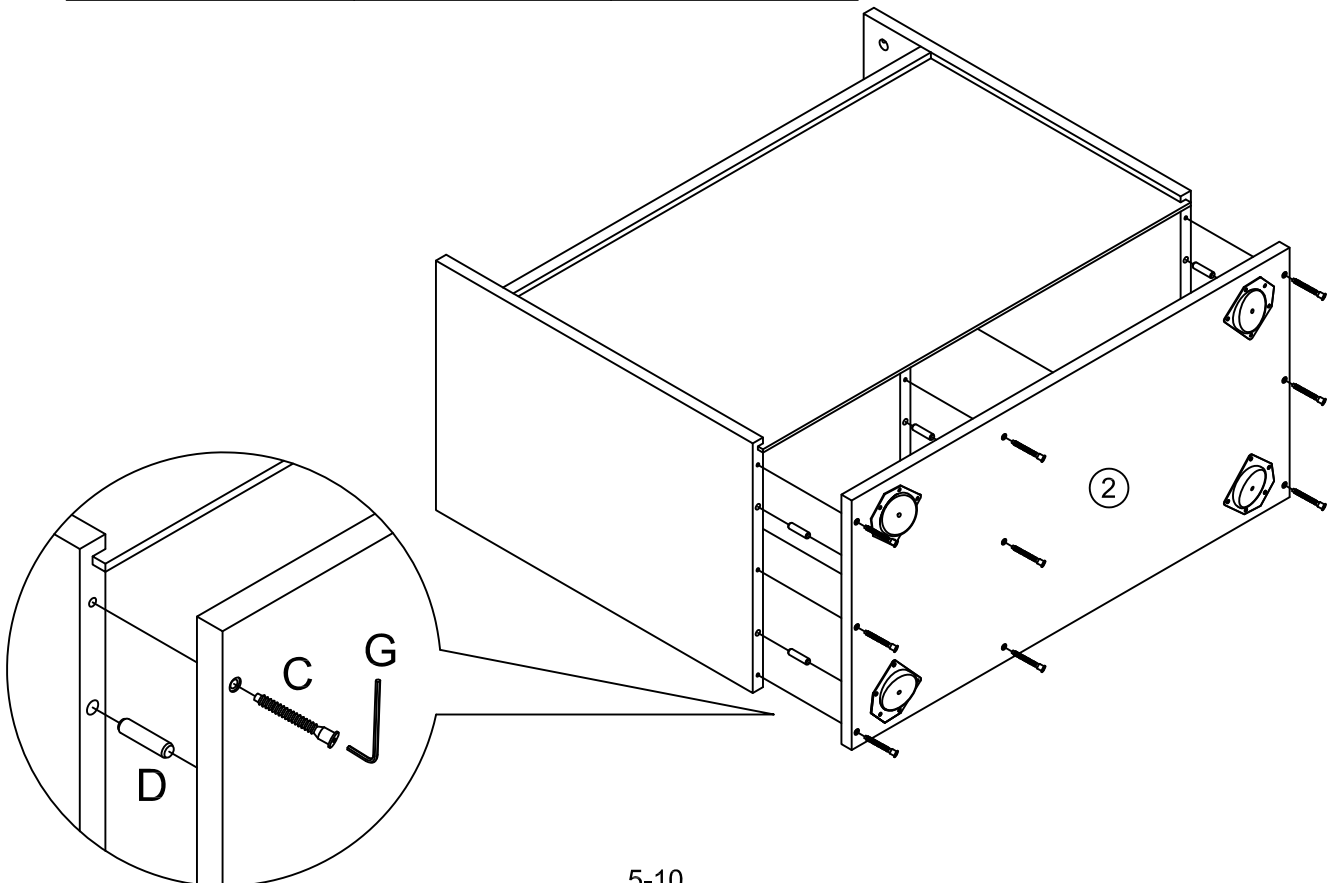
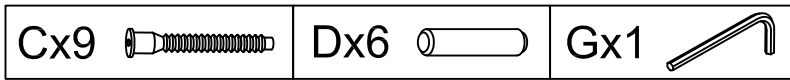
Bx6  Dx4 



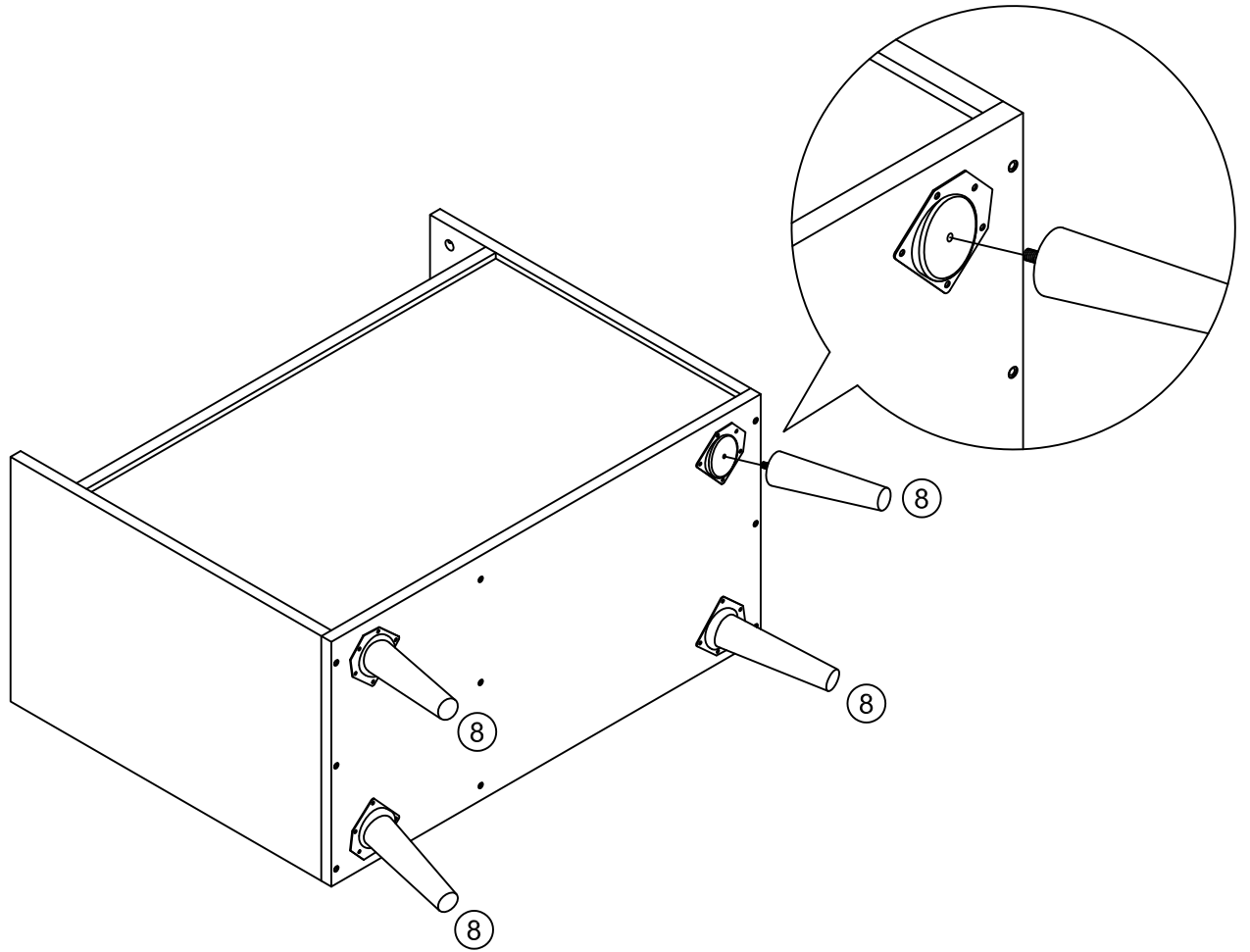
5



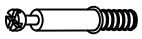
6

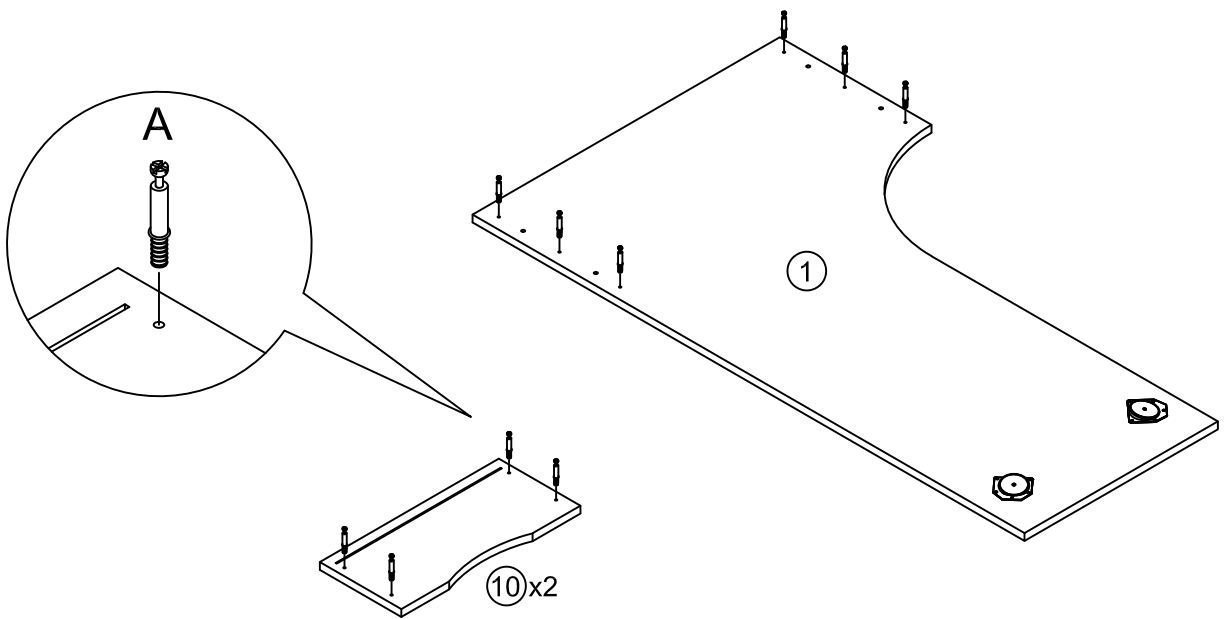


7

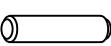


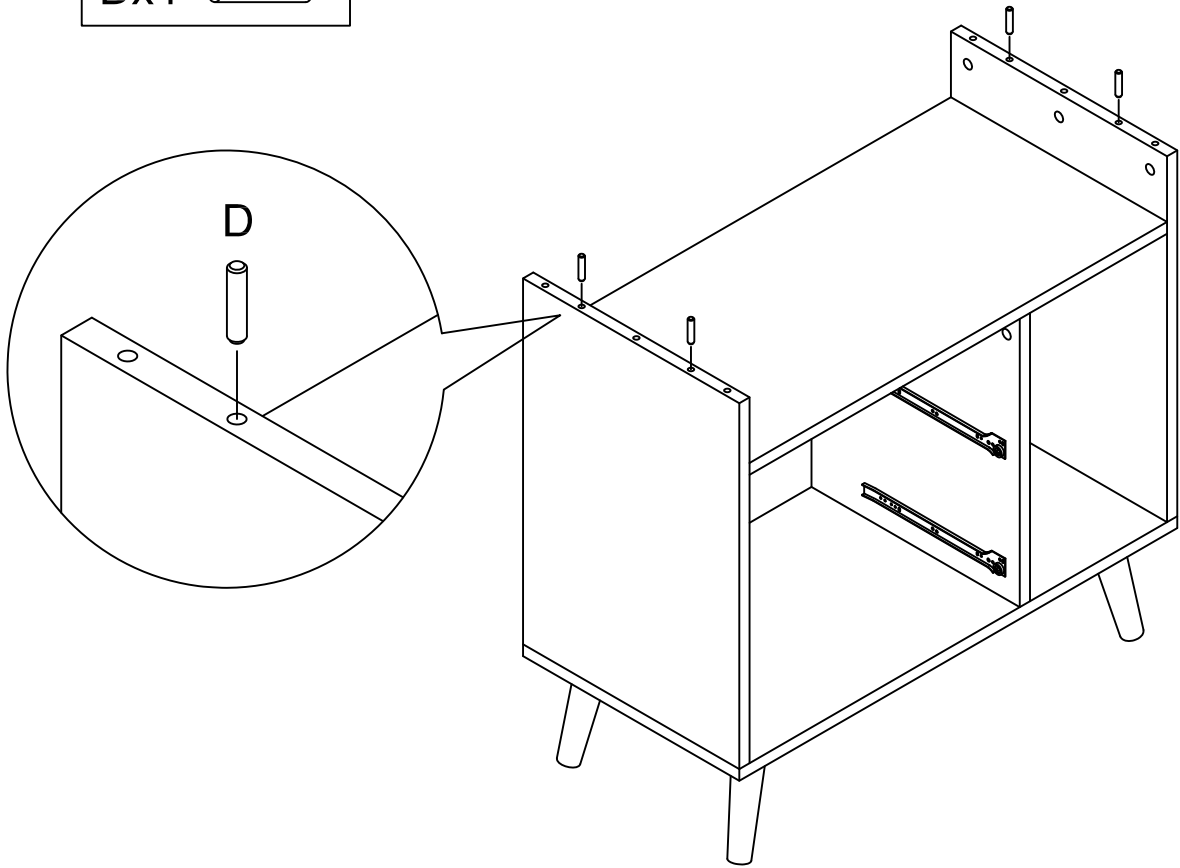
8

Ax14 



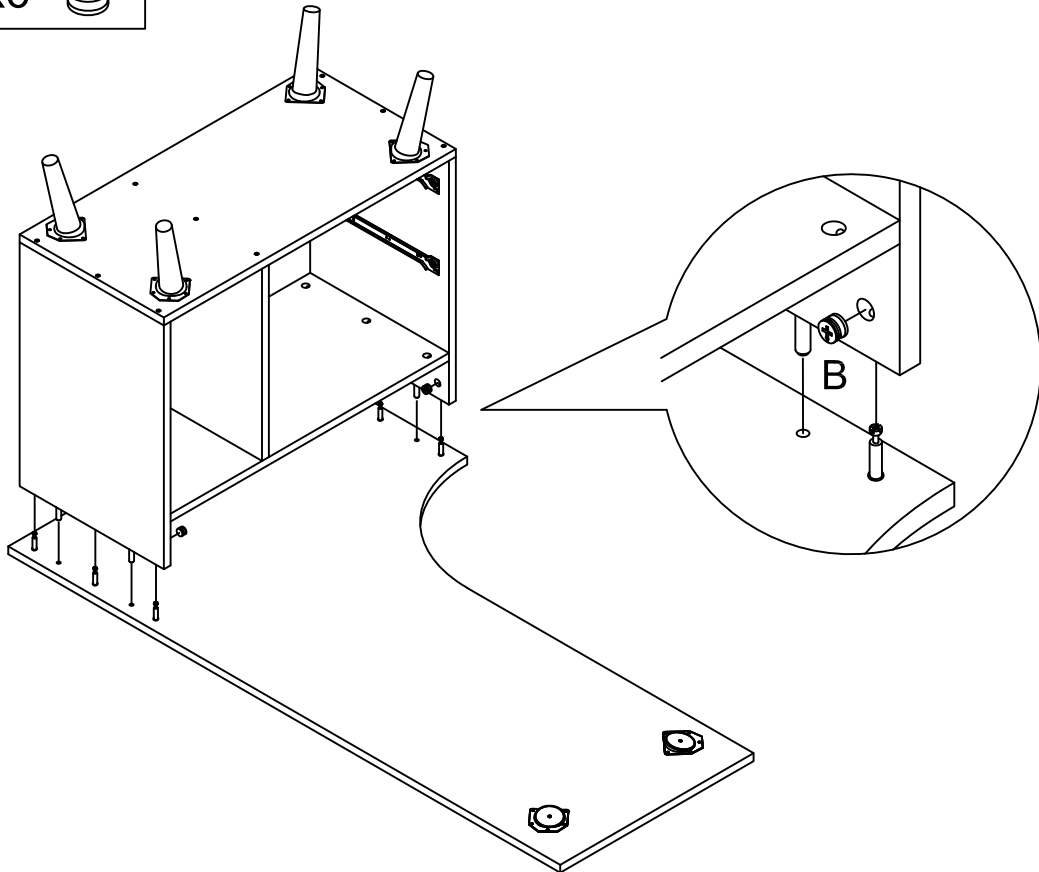
9

Dx4 

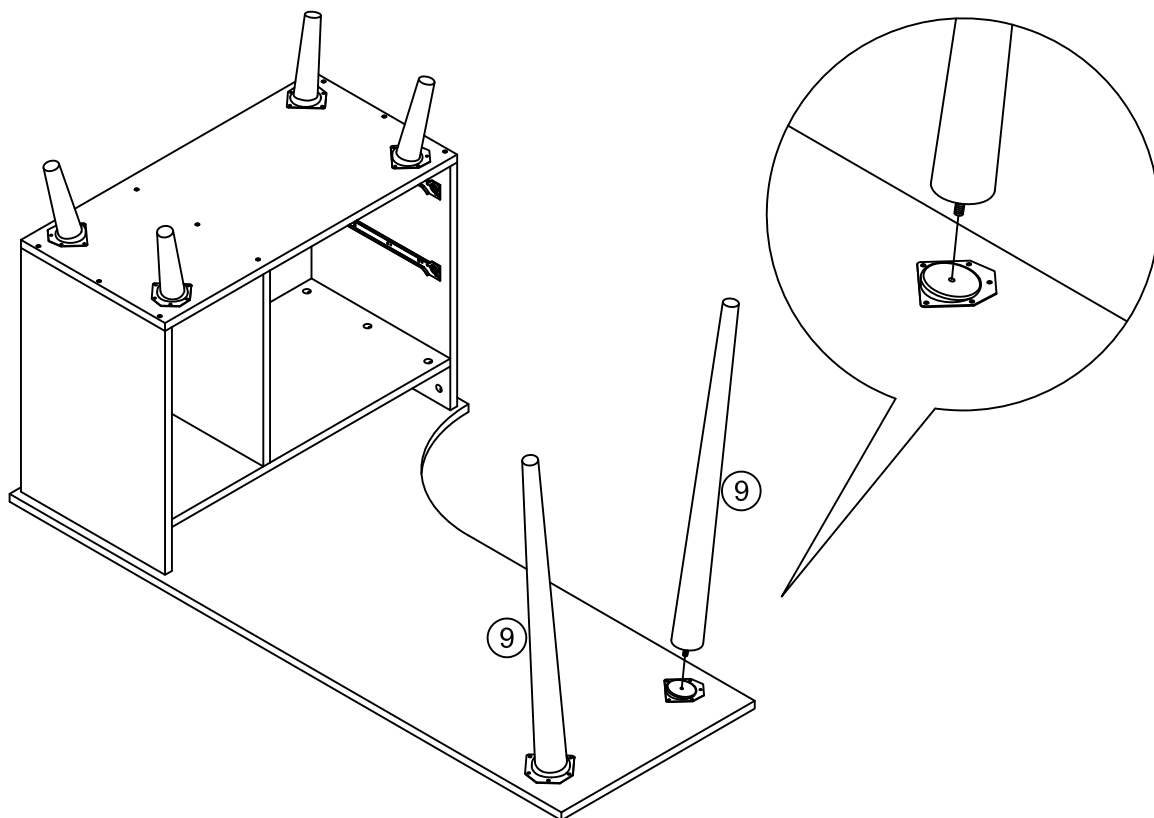


10

Bx6 



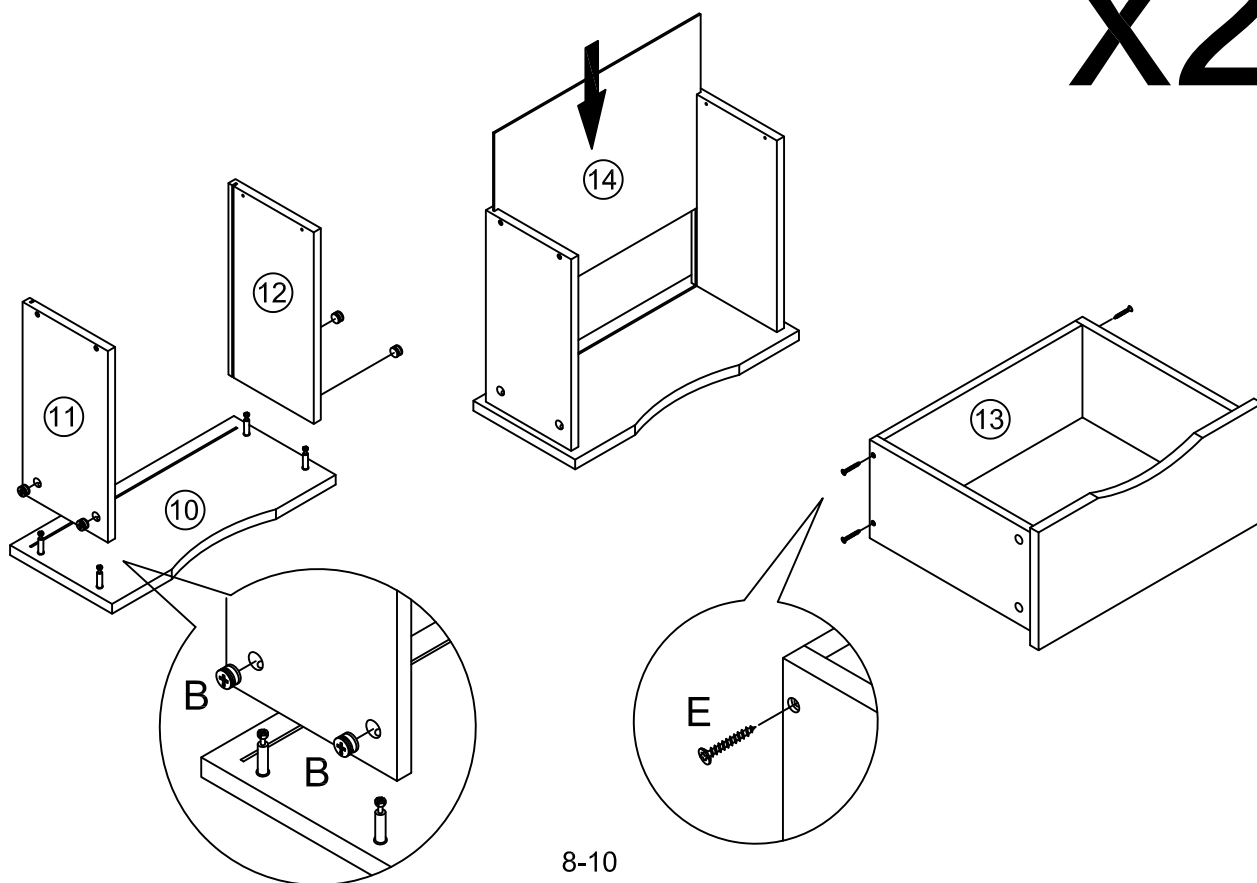
11



12



x2

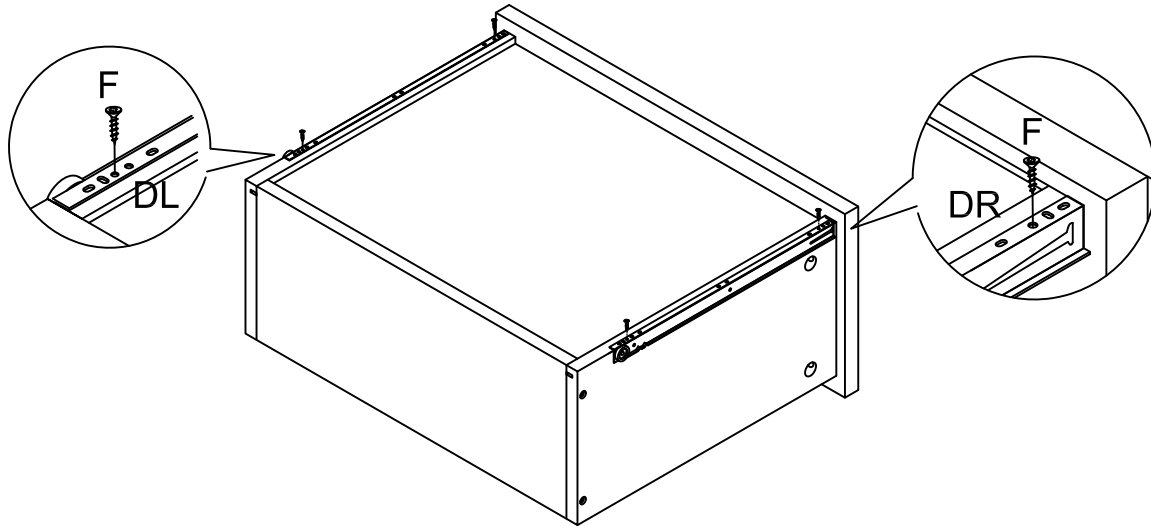


8-10

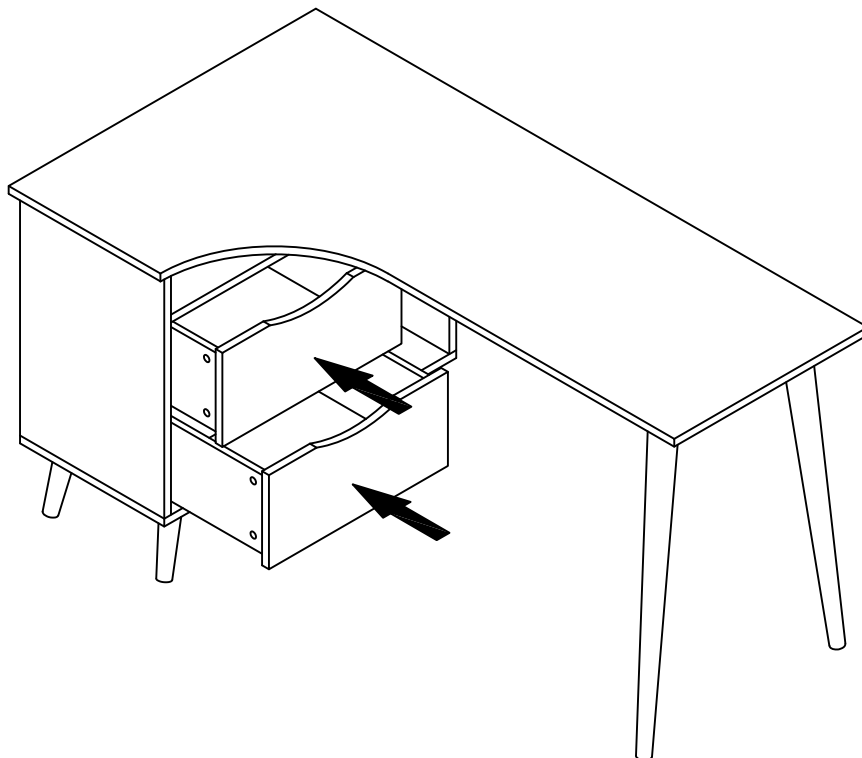
13



x2



14



15

